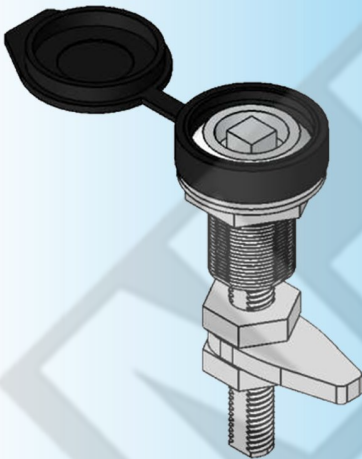




Photo View



3D Rendered View

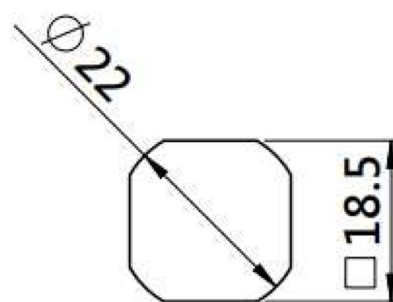
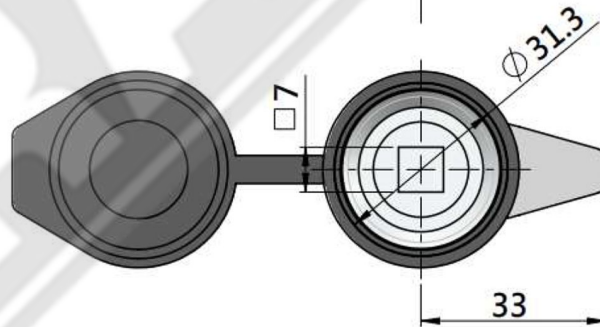
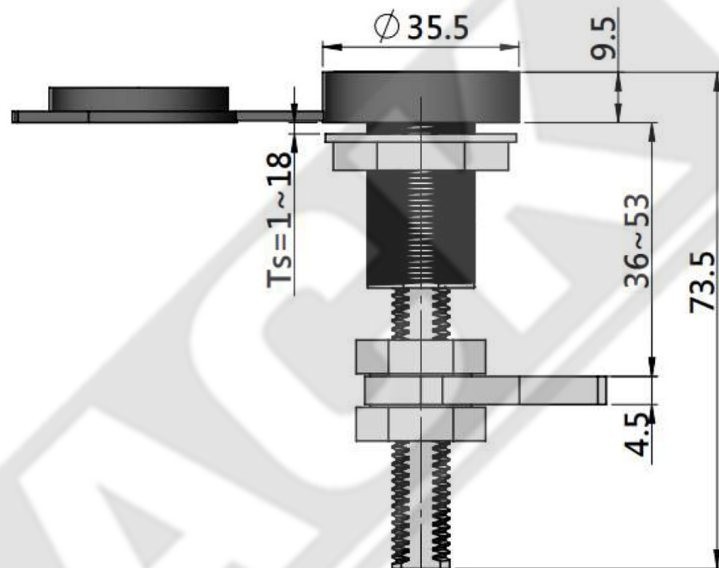


**MS 817-2A-1**

- Material: zinc die-casting body, nut and key, M.S. Zinc plating cam;
- Panel thickness: 1-18mm;
- Remark: compression latch, 6mm pull-up

For Product Step File or 3D Model Send a Request Mail To info@nrack.com

## Compression Locks



CUT OUT